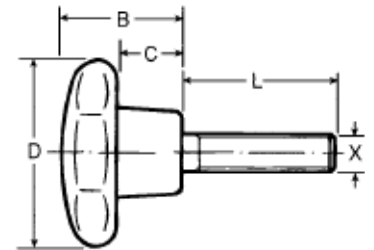


**Plastic Hand Knobs**  
stainless steel screw

- ▶ Black thermoplastic hand knob
- ▶ Stainless steel screw
- ▶ Additional sizes available upon request.

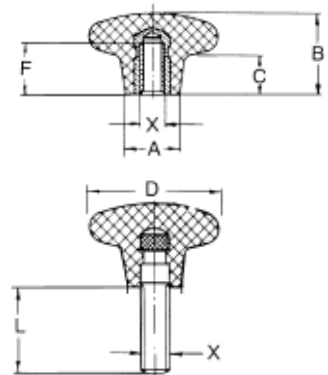


PART #	X Thread	INCH SCREW SIZES				
		L	D	A	B	C
2425AC015SS	1/4-20	0.59	0.98	0.47	0.63	0.32
2425AC028SS	1/4-20	1.10	0.98	0.47	0.63	0.32
2425AC034SS	1/4-20	1.34	0.98	0.47	0.63	0.32
2440AD017SS	5/16-18	0.67	1.57	0.71	0.98	0.51
2440AD024SS	5/16-18	0.94	1.57	0.71	0.98	0.51
2440AD036SS	5/16-18	1.42	1.57	0.71	0.98	0.51
2450AE018SS	3/8-16	0.71	1.97	0.87	1.26	0.67
2450AE030SS	3/8-16	1.18	1.97	0.87	1.26	0.67
2450AE043SS	3/8-16	1.70	1.97	0.87	1.26	0.67
2463AF020SS	1/2-13	0.79	2.48	1.02	1.57	0.83
2463AF046SS	1/2-13	1.81	2.48	1.02	1.57	0.83

PART #	X Thread	METRIC SCREW SIZES				
		L	D	A	B	C
PHK-252SS	M6 x 1.0	21	32	14	20	10
PHK-2525SS	M6 x 1.0	31	32	14	20	10
PHK-2528SS	M8 x 1.25	20	40	18	25	13
PHK-2535SS	M8 x 1.25	40	40	18	25	13
PHK-254SS	M10 x 1.5	30	50	22	32	17
PHK-2548SS	M10 x 1.5	50	50	22	32	17
PHK-255SS	M12 x 1.75	44	63	26	40	21

**Metric Star Knobs**

- ▶ Black Duroplastic FS31
- ▶ Extra smooth finish
- ▶ Thread bushing is made from steel with zinc-plated finish
- ▶ Steel screw with zinc-plated finish
- ▶ Additional sizes available upon request



PART #	X Thread	INTERNAL METRIC THREAD				
		D	A	B	C	F
PHK-351	M5 x .8	25mm	11mm	17mm	9mm	10.5mm
PHK-352	M6 x 1.0	32	14	21	10	12
PHK-353	M8 x 1.25	40	18	26	14	14
PHK-354	M10 x 1.5	50	22	32	18	18
PHK-355	M12 x 1.75	63	26	42	25	22

PART #	X Thread	EXTERNAL METRIC THREAD				
		L	D	A	B	C
PHK-4515	M5 x .8	15mm	25mm	11mm	17mm	9mm
PHK-4620	M6 x 1.0	20	32	14	21	10
PHK-4630	M6 x 1.0	30	32	14	21	10
PHK-4820	M8 x 1.25	20	40	18	26	14
PHK-4830	M8 x 1.25	30	40	18	26	14
PHK-41025	M10 x 1.5	25	50	22	32	18
PHK-41035	M10 x 1.5	35	50	22	32	18
PHK-41240	M12 x 1.75	40	63	26	42	25
PHK-41260	M12 x 1.75	60	63	26	42	25